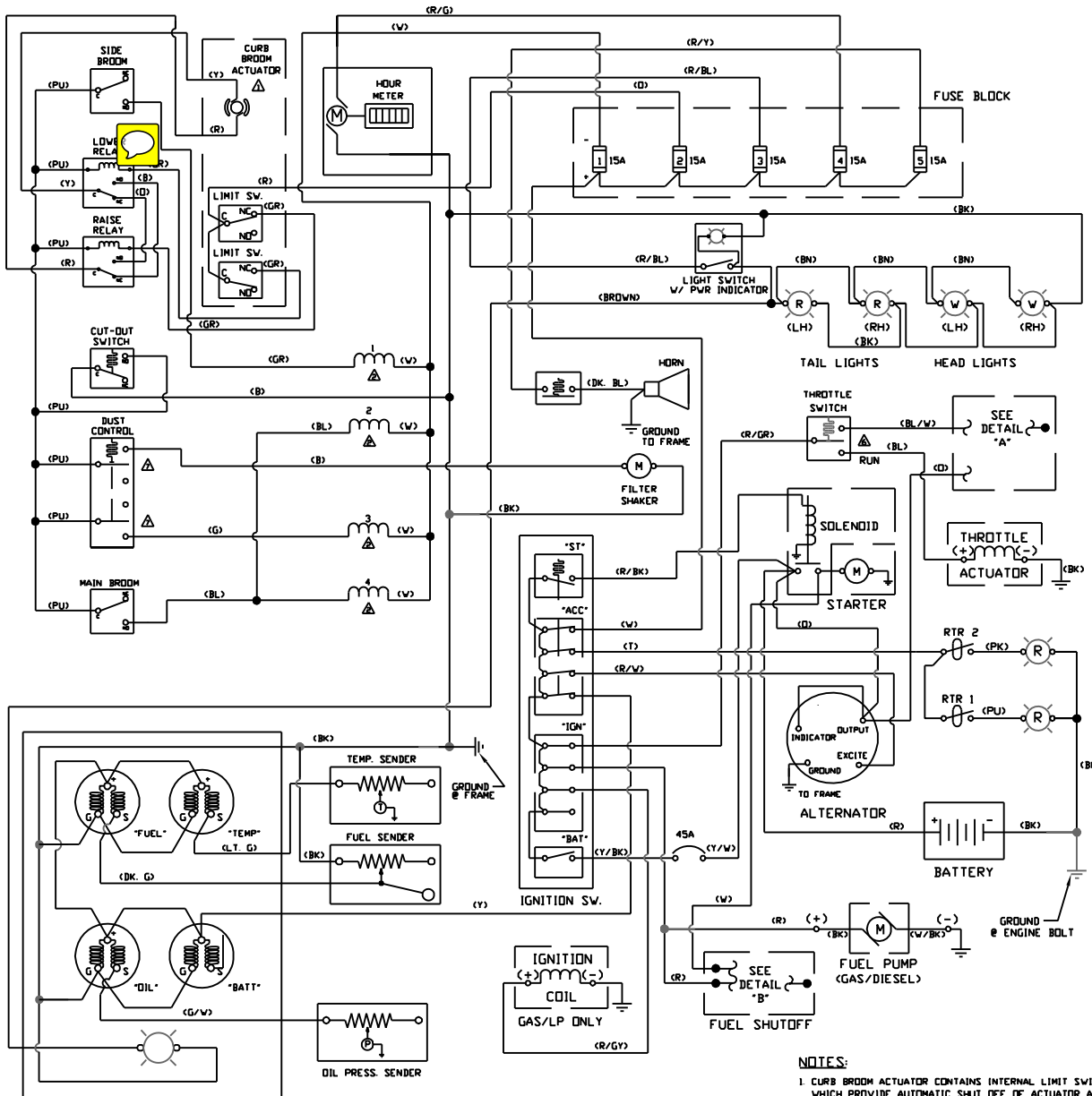


ELECTRICAL SCHEMATIC 3338146



- NOTES:**
- CURB BROOM ACTUATOR CONTAINS INTERNAL LIMIT SWITCHES WHICH PROVIDE AUTOMATIC SHUT OFF OF ACTUATOR AT THE BEGINNING AND THE END OF STROKE.
 - DESCRIPTION FOR COILS 1 THRU 4
 COIL 1 = SIDE BROOM ROTATE
 COIL 2 = MAIN BROOM LIFT
 COIL 3 = IMPELLER ROTATE
 COIL 4 = MAIN BROOM ROTATE & LOWER
 - NOMENCLATURE FOR WIRE COLORS:
 Y = YELLOW
 R = RED
 W = WHITE
 BL = BLUE
 BK = BLACK
 BN = BROWN
 G = GREEN
 GR = GREY
 O = ORANGE
 PU = PURPLE
 T = TAN
 Y/W = YELLOW WITH WHITE STRIPE (TYPICAL NOMENCLATURE FOR STRIPED WIRE).
 - ACTUAL COMPONENT TEXT INSIDE THIS BOX IS TYPICALLY STAMPED ON COMPONENT.
 - GROUPING OF RELATED COMPONENTS.
 - CENTER POSITION OF THROTTLE SWITCH IS "IDLE".
 - CENTER POSITION OF DUST CONTROL SWITCH IS "OFF".
 - ALL DEVICES SHOWN IN OFF POSITION.
 - THIS SCHEMATIC IS SHOWN FOR WIRE HARNESSES 338077, 338078 & 338079.

